



Rubinetterie Italiane Velatta SpA

————— since 1950 —————

>> **YOU need the BEST**

opale

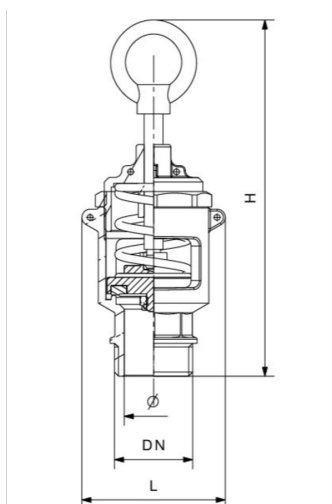
Series



## RIV 230

Spring operated pressure relief valve with free discharge

### » Tech drawings and tables



DN	Codice	Ø	H	L	PN	KG	P/box
1"	050230000007	25	152	61	1,5bar - 21psi	0,454	30
1"1/2	050230000009	39	156	66	1,5bar - 21psi	0,760	15
2"	050230000011	51	160	77	1,5bar - 21psi	1,095	10

## »» Advantages

Environmentally compatible, thanks to its hose-connection, where you can apply a pipe for discharging any possible polluting leakages into a proper tank. The valve can be easily adjusted to the desired pressure (from 0,5 to 1,5 bar - from 7 to 21 psi) and it can be sealed tamper-proof through the drilled tongues.

Certified in accordance with 2014/68/UE (PED).

## »» Approvals



»» RIV Rubinetterie Italiane Velatta S.p.A  
Via delle Acacie 8 Zona Industriale D4  
P. O.Box 64  
28075 GRIGNASCO (NO) ITALY  
Tel +39 0163 4151  
Fax +39 0163 411914

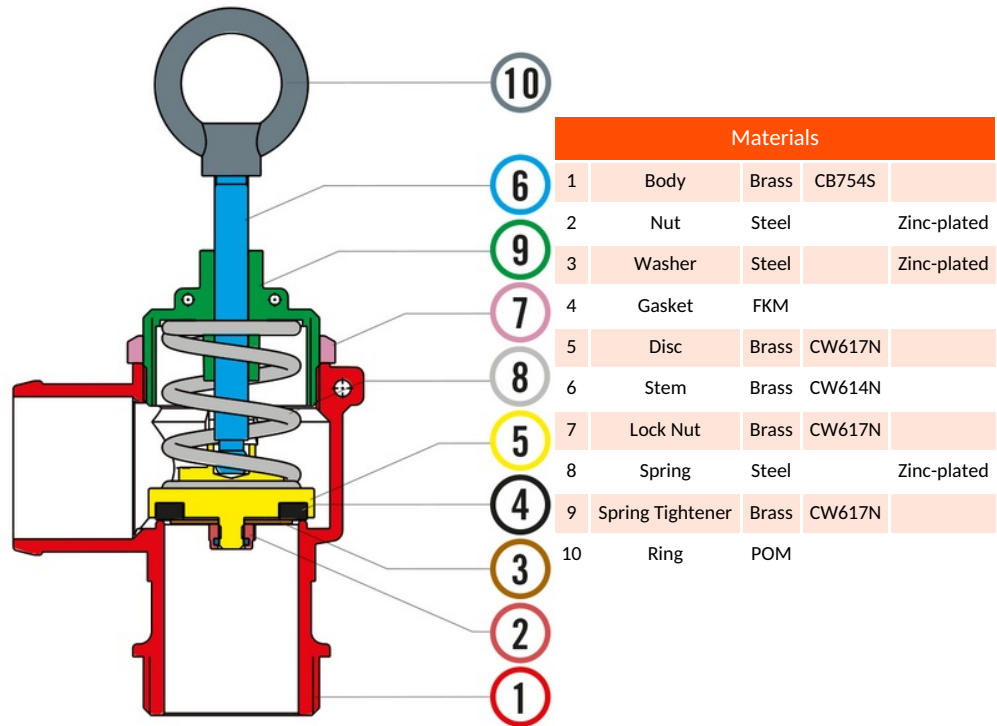
»» Capitale sociale € 516.000 i.v.  
Reg. Imprese di Novara N° 00469610026  
R.E.A. di Novara N° 170397  
Numero Meccanografico NO009263  
Codice Fiscale 00469610026  
Partita IVA IT 01399720034

»» E - mail [riv-vg@riv-vg.com](mailto:riv-vg@riv-vg.com)  
[vendite.italia@riv-vg.com](mailto:vendite.italia@riv-vg.com)  
[export.sales@riv-vg.com](mailto:export.sales@riv-vg.com)  
Web [www.riv-vg.com](http://www.riv-vg.com)



>> Technical data

**RIV 250**



<b>Connection</b>	ISO 228/1, ANSI B1.20.1 (NPT)
<b>Limit</b>	0°C (+32°F) without liquid +180°C (+356°F)
<b>Notes</b>	<p>The max.working pressure (PN) means at a room temperature of about 23°C.</p> <ul style="list-style-type: none"> <li>• Pressure relief valve intended for exclusive use on the slurry tanker, at a max. 1.5 bar (21 psi).</li> <li>• The valve is intended for the discharge of gaseous fluids, it's not suitable for the passage of liquids especially if with solid part in suspension (Slurry, etc.)</li> <li>• The valve doesn't replace the 4th category safety device which must in any case be present on the system.</li> </ul>



»» More Products



**RIV 250**

Spring operated pressure relief valve  
with hose-connection

»» RIV 90250 Calibrated & sealed



**RIV 251**

Spring operated pressure relief valve  
with hose-connection  
NPT thread